

PT14 DIGITAL SPATIAL THERMOSTAT

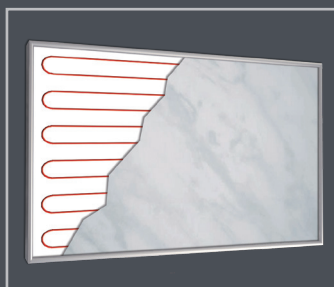
Digital spatial thermostat with single control and large-screen backlit display for easy reading even in the dark.

INNOVATION
MARCH 2012

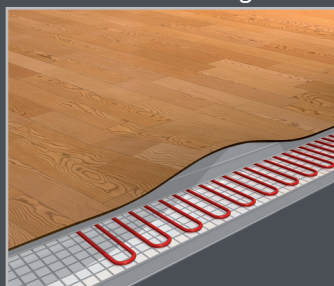
Electric Heaters



Infra-red Heaters



Floor Heating



Thermostat is designed to control electric heaters, e.g.:

- Electric Heaters
- Radiant Heaters
- Infra-red Heaters
- Electric floor heating

Designed and made in the Czech Republic. 



PRODUCTION
CONSUMER
ELECTRONICS

ELEKTROBOCK CZ s. r. o.
Blanenská 1763, 664 34 Kuřim
CZECH REPUBLIC
www.elbock.cz
e-mail: elbock@elbock.cz

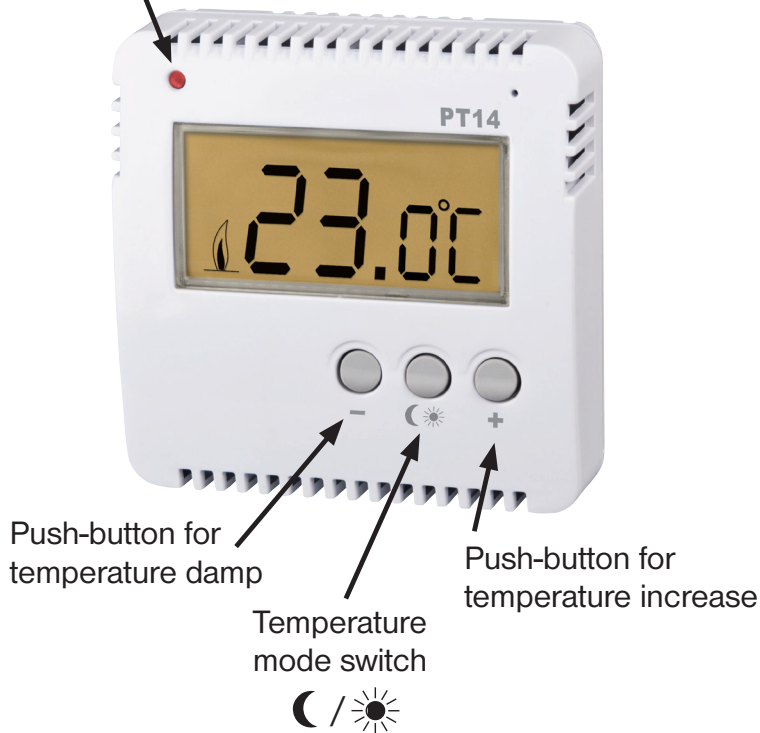
Tel.: +420 541 230 216
Mob.: +420 725 427 749
Fax: +420 541 231 369
MADE IN CZECH REPUBLIC

PT14 DIGITAL SPATIAL THERMOSTAT

PT14 Digital spatial thermostat is suitable for households, family houses and offices with electric heating. It can control electric heaters, radiant heaters, infra-red heaters or electric floor heating up to 16 A output. Thermostat is characterized by large-screen clear backlit display and simple service. Simple setting makes control easy even for older people.

THERMOSTAT DESCRIPTION:

indication of heating
switch ON



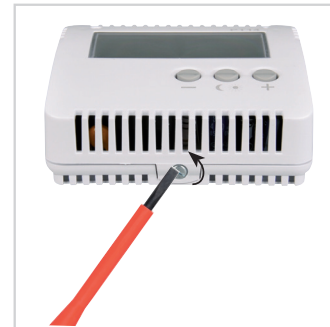
Thermostat enables setting the required temperature within the range of 3 °C up to 39 °C, step by step 0,5 °C. It is also possible to determine the required temperature for night and daily mode. To switch over between these modes you must only press of button. Factory presetting for ☾ is 18 °C and for ☀ 23 °C. Anybody can change this presetting. At the power failure the thermostat will always switch over to ☾ state and will return to factory setting.

TECHNICAL PARAMETERS:

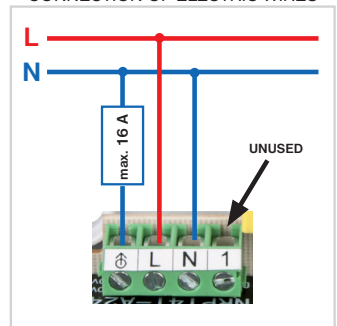
Type of controlling	Hysteresis
Hysteresis value	0.5 °C
Indication by	0.5 °C
Adjustable temperature range	+3 °C to 39 °C
Temperature setting	by 0.5 °C
Measure accuracy	± 1 °C
Power supply	230 V/ 50 Hz
Power input	1 VA (1 W)
Switching element	Relay
Power output	max. 16 A
Enclosure	IP20
Class of protection	II
Working temperature	0 °C to +40 °C

SIMPLE INSTALLATION:

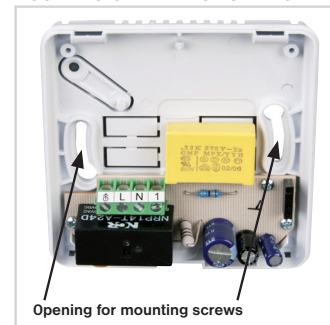
REMOVING OF RETAINING SCREW



CONNECTION OF ELECTRIC WIRES



MOUNTING OF THE BACK SIDE TO THE WALL



PARTS FITTING ON



Your supplier: