

DIGITAL SPATIAL THERMOSTAT

PT 14

WITH SIMPLE CONTROL AND BACKLIT DISPLAY

Intended for:

- direct heaters
- radiant panels
- electric floor heating

INSTALLATION AND LOCATION

Install the thermostat at a suitable place where its operation cannot be affected by direct flow of hot air from the heater, sunshine or other disturbing effects. Neither install it on an external wall. The installation height should be approx. 1.5 m above the floor. Place the thermostat in the “reference room”, such as the living room (the heating source will switch according to the temperature in this room).

The installation must only be done by a properly qualified person!
Before installation, disconnect the power supply!

INSTALLATION PROCEDURE

- 1) Switch off the main circuit breaker.
- 2) Loosen the locking screw and remove the front part of the thermostat with the electronics (Fig. 1).
- 3) Fix the back part of the thermostat to the wall (Fig. 2).
- 4) Connect conductors to the terminals acc. to the wiring diagram below, see Fig. 3.
- 5) Put on the front part of the thermostat with LCD and ensure the thermostat with the locking screw against splitting.
- 6) Switch on the main circuit breaker. If everything is OK, the LCD shows the current temperature.

DESCRIPTION OF THE FUNCTION

indication of heating switched ON



Push-button for temperature damp

Temperature mode switch

Push-button for temperature increase



The LCD backlight is activated by the first pressing of **+** or **-** button! Next pressing of this buttons change the required temperature. Thermostat allows to set-up temperature in range 3 °C to 39°C.

This temperature can be change by pressing of **+** and **-** buttons or you can switch between two temperature levels by pressing **☾/☀** buttons. For **☾** you can set up e.g. 19°C, for **☀** e.g. 23°C. Then you can only in the morning set **☀** and in the evening **☾**.

If power failure occurs, then after its restoration is thermostat set on **☾** mode on 18°C.

The factory-set is:

☾ 18°C

☀ 21°C

These values are always set up after power failure.

Fig.1 Loosen the locking screw and remove the thermostat electronics.



Fig.2 Fix the back part of the thermostat to the wall.

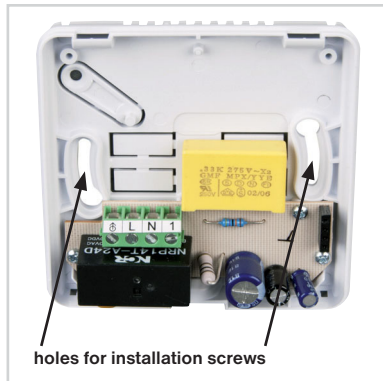


Fig.3 Connect the inlet wires according to the diagram.

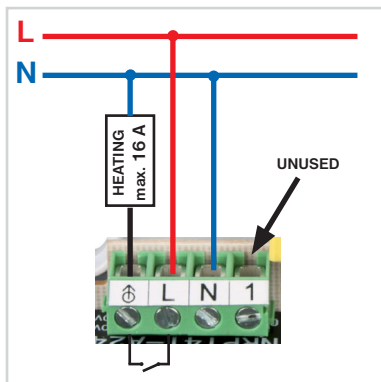


Fig.4 Put the electronics part onto the bottom part and ensure it with the locking screw.



DIGITAL SPATIAL THERMOSTAT

PT14

Is suitable for households, family houses and offices with electric heating. It can control electric heaters, radiant heaters, infra-red heaters or electric floor heating up to 16 A output. Thermostat is characterized by large-screen clear backlit display and simple service. Simple setting makes control easy even for older people.

Technical parameters	
Type of controlling	Hysteresis
Hysteresis value	0.5°C
Minimum indication step	0.5°C
Adjustable temper. range	+3°C to 39°C
Temperature settings	by 0.5°C
Measuring accuracy	± 1°C
Power supply	230 V/ 50 Hz
Power consumption	1 VA (1W)
Switching element	relay
Protection	IP20
Protection class	II
Output	max. 16 A
Operating temperature	0°C to +40°C

CERTIFICATE OF GUARANTEE

(guarantee period for the product amounts to 2 years)

product No.:

date of sale:

stamp of shop:

examined by:

In the case of guarantee or post-guarantee service, send the product to the distributor's or manufacturer's address



ELEKTROBOCK CZ

MADE IN CZECH REPUBLIC

ELEKTROBOCK CZ s.r.o.

Blanenská 1763

Kuřim 664 34

Tel.: +420 541 230 216

www.elbock.cz