

TIMER

1s to 1.5 hours

- turns on the lighting
- simple assembly to installation box

CS3-2



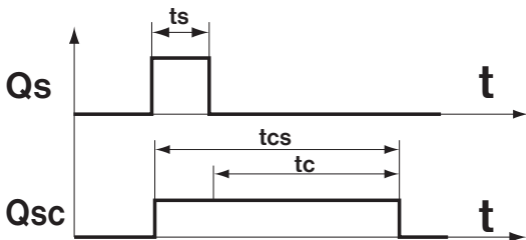
The appliance switches on at the moment closing the control button, but the countdown will not start until the button is unfasten.

DESCRIPTION

The CS3-2 timer is for delay switching off appliances. It is suitable for controlling ohmic loads (bulbs). The appliance switches on at the moment of closing the control button, and however, the time countdown occurs only after opening. Up to 20 buttons can be used for control with built-in glow plugs. The device is designed for mounting in an installation box or under a switch.

TIME SETTING

is performed by a switch roughly in four ranges according to the table and gently trim with a small screwdriver. Due to the wiring used, long-term stability is guaranteed set time, without significant dependence on time, ambient temperature and supply voltage.



t_s = period switching on the button

t_c = set time on CS3-2

t_{cs} = total switching time of the load $t_s + t_c$

! Note: Can also be used to control fans without starting condenser.

Time setting and installation is performed on wiring without voltage and a person with the appropriate electrical qualification, according to the wiring diagram.

Overview of manufactured types

CS3-1 turns on the fan when the light is turned off.

CS3-1B turns on the fan at the set time after turning on the light and turning off at the set time after switching off.

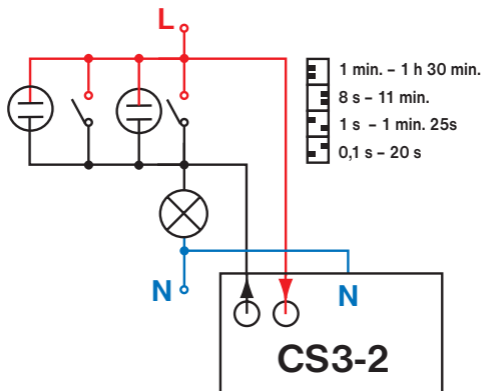
CS3-4 it turns on immediately when pressed buttons, but the timing itself begins after disconnecting the button - connection without zero.

CS3-4B similar to CS3-1B in connection without zero.




CS3-4M multi - function timer, 8 functions in one connection - connection without zero.

CS3-16 multi - functional, for larger loads (switching element is a 16 A relay!).

When warranty and post-warranty service, send the product to producer.



TECHNICAL PARAMETERS

Power supply	230 V/ 50 Hz
Switching element	triac
Input (power)	< 0,5 W
Resistive load	5 up to 150 W
Cannot be used for loads!	   LED
Wire cross section	0,5 mm ²
Degree of protection	IP20 and larger depending on the type of mounting
Operating temperature	0°C up to +50°C



8 1594012220058



ELEKTROBOCK CZ
MADE IN CZECH REPUBLIC

www.elbock.cz

ELEKTROBOCK CZ s.r.o.

Blanenská 1763

Kuřim 664 34

Tel.: +420 541 230 216

Technical support (up to 2 pm)

Mobile: +420 724 001 633

+420 725 027 685



LEAD FREE
RoHS compliant



PAP